



Celebrating
our **750,000th**
BACKHOE LOADER

BACKHOE LOADER | 3CX SPECIAL EDITION STAGE V

Gross power: 55kW (74hp) Stage V | Maximum dig depth: 5.46m | Weight: 8135kg



THE ICON THAT REVOLUTIONISED THE WORLD.

In 1953, JCB introduced one of the most pioneering machines to ever enter the market. The MK I excavator had a loader mounted on the front and a hydraulic excavator fitted to the rear. It was the world's first backhoe loader; one machine that could perform a variety of jobs.

Today, 1 out of every 2 backhoes sold across the globe is a JCB.

Over the decades, the world's most iconic machine has constantly evolved to meet our customers changing demands. This has involved using the most modern available technology to produce world-firsts such as 4WD, a sideshift chassis, lock-up torque converter, powershift transmission, extending dipper, servo controls and many more.



THE 50's. REVOLUTIONARY PRODUCTIVITY.



THE 60's. MORE COMPACT.



THE 70's. GREATER VERSATILITY.

INTRODUCING THE SPECIAL EDITION 3CX BACKHOE.

To celebrate the production of our 750,000th backhoe loader, we've built an all-new Special Edition 3CX. This machine still carries the same values of backhoes from the past, with the ability to excavate and load with one machine and remains the most versatile in the world today.

With lots of new and innovative features, it sets new industry standards for ease of use, comfort and efficiency, making it the first choice for existing customers as well as the next generation of operators.

With a striking new design and a whole host of new features, the world's best-selling backhoe just got even better.



THE 20's. EASE OF USE.



THE 80's. MORE POWER.



THE 90's. IMPROVED COMFORT.



THE 00's. GREATER PRODUCTIVITY.



THE 10's. INCREASED EFFICIENCIES.

SPECIAL EXCAVATOR PERFORMANCE.

THE JCB 3CX BACKHOE LOADER HAS A HIGH PERFORMING EXCAVATOR WITH EXCELLENT REACH UP TO 6.4M AND DIGGING DEPTH TO 5.4M. WITH A DIGGING CAPABILITY OF UP TO 50M³/HR AND SIDESHIFT RUNNING THE FULL WIDTH OF THE MACHINE, YOU CAN ACHIEVE 15% MORE GROUND COVERAGE WITH THE ABILITY TO OFFSET THE EXCAVATOR TO DIG PARALLEL TO BUILDINGS.

Maximum productivity.

1 Lifting kits enable the machine to carry out lifting operations. Hose burst check valves and an audible warning alarm maximise site safety.

2 A large choice of attachments including buckets up to 950mm.

Dipper mounted high performance hydraulic breaker for trenching in rocky ground and rock breaking.

The JCB Jaw bucket offers two-in-one versatility – a digging bucket plus a jaw for grabbing awkward loads.

3 201° bucket rotation gives outstanding spoil retention at full height.

4 Optional Powerslide hydraulically repositions the excavator across the rear frame for fast and easy working, especially in tight spaces.

5 Our latest quickhitch makes attachment changing quick and safe.



SPECIAL LOADER PERFORMANCE.

THE NEW 3.0 LITRE 55KW ENGINE PROVIDES A MIGHTY 440NM OF TORQUE, 10% MORE THAN THE PREVIOUS T4F VERSION. WITH 4WD, THIS DELIVERS GREATER LOADING AND ROADING PERFORMANCE PLUS MORE PUSHING POWER. THE HIGH CAPACITY SHOVEL AND LOADER ALSO PROVIDE AN OUTPUT OF OVER 200 TONNES PER HOUR AND EXCELLENT TEAR OUT AND LIFT CAPACITY OF OVER 3 TONNES.

Maximum performance.

- 1 Heavy-duty loader arms are shaped to enhance side truck loading.
- 2 4 ram self-levelling loader arms automatically adjust for parallel lift to maximise load retention.
- 3 Auto SmoothRide System (SRS) engages at a pre-set speed, improving load retention and productivity when travelling on the road.
- 4 A 6-in-1 shovel enables the machine to dig, load, doze, grab, grade, and backfill without switching attachments. A 6-in-1 shovel with fold over forks for pallet handling or optional integral loader quickhitch, increase visibility and payload up to 2000kg.



Tractive effort in the pile is maximised with the variable flow hydraulics and JCB's Stage V Dieselmax engine.



SPECIAL COMFORT.

THE NEW JCB COMMANDPLUS CAB ON THE SPECIAL EDITION 3CX OFFERS UNBEATABLE COMFORT, SPACE AND LOW NOISE LEVELS, WHILE A WEALTH OF ADVANCED FEATURES AND TECHNOLOGY MAKE IT THE EASIEST TO OPERATE. A NEW COLOUR DISPLAY SCREEN PROVIDES ALL THE INFORMATION YOU NEED.

Easy to operate.

- 1 The new cab interior features a 7" LCD display screen which along with the new front display makes monitoring information quick and easy.
- 2 The Auto Drive lever has been repositioned under the forward/reverse column for ease of use.
- 3 Improved operation and position of the HVAC controls now make it even easier to select the desired cab temperature.
- 4 Auto Seat Select recognises which way the operator is facing in the machine so the servo controls are ready to operate.
- 5 Factory fit Bluetooth radio allows the operator to connect their personal phone, giving hands-free operation. Also lockable roof storage allows valuables to be safely stored.



1



2



Improved seat cushioning increases the comfort levels for the operator.



4



5

SPECIAL SAFETY FEATURES.

THE SPECIAL EDITION MACHINE IS PACKED FULL OF ENHANCED SAFETY FEATURES. NEW INTERIOR LIGHTS ILLUMINATE BOTH SIDES OF THE CAB AND THE STEP AREA, WHILE LARGE ANTI-SLIP STEPS AND NEW YELLOW GRAB HANDLES PROVIDE 3 POINTS OF CONTACT FOR SAFER ENTERING AND EXITING. A NARROW BOOM AND DIPPER PROVIDE BEST-IN-CLASS VISIBILITY OUT OF THE CAB, WHILE NEW LARGE EXTERIOR MIRRORS AND TEN OPTIONAL LED WORKLIGHTS PROVIDE GREATER ALL-ROUND VISIBILITY.

Safety first.

- 1 Optional 4 front and 6 rear LED worklights provide maximum front and rear visibility, particularly important when working in roadways and with overnight work.
- 2 New interior lights illuminate both sides of the cab, the Anti-slip steps and new yellow grab handles provide safer entering and exiting.
- 3 Roof mounted corner beacons are standard and provide clear warning from all sides of the machine and remove the need to climb to mount the beacon on the cab roof.
- 4 Large exterior mirrors provide greater all-round visibility for the operator.



SPECIAL SERVICEABILITY.

WITH AUTOMATED DAILY CHECKS OF ALL FLUID LEVELS AND AIR FILTER ON START-UP, THE NEW 3CX GIVES YOU AUTOMATIC PEACE OF MIND. WITH A WIDE OPENING ONE-PIECE BONNET, 500-HOUR FUEL FILTER CHANGE AND AUTOMATIC DPF REGENERATION, SERVICING HAS BEEN MADE EASY AND LESS FREQUENT FOR REDUCED COST.

Servicing made easy.

- 1 Wide opening, one-piece bonnet for easy access to complete engine bay.
- 2 A large lockable external tool box provides safe storage for tools such as grease gun.
- 3 Automated daily checks ensure machine checks of all fluid levels on start-up.
- 4 Refuelling can be done at ground level to save lifting drums and avoid spillage.
- 5 The new 7" display provides the operator with all the information on machine health and alerts like regen/service schedules.



SPECIAL EFFICIENCY.

THE SPECIAL EDITION 3CX BACKHOE LOADER HAS THE NEW JCB STAGE V ENGINE WITH REDUCED COST OF OWNERSHIP, DELIVERING A COMBINED DUTY CYCLE EFFICIENCY OF 7% COMPARED WITH THE PREVIOUS STAGE IV VERSION. IT ALSO DOESN'T NEED DIESEL EXHAUST FLUID (DEF) OR ANY OTHER EXHAUST ADDITIVE FOR REDUCED MAINTENANCE.

Automatic Regeneration allows the DPF to perform a regen without effecting the machine operation.

Auto Drive allows the operator to lock the rpm when roading, to maintain the road speed without the need to press the throttle pedal.



Reduced costs.

- 1 JCB's Stage V engine lowers fuel consumption, delivering 7% more fuel efficiency and increased torque.
- 2 Auto 2WD engages at a pre-set speed reducing fuel usage and unnecessary tyre wear.
- 3 Auto Stop automatically shuts off the engine when at idle after a set time period, saving on wear and tear and also reducing fuel usage.





LIVELINK TELEMATICS.

LiveLink telematics helps you monitor and manage your machine fleet remotely anywhere in the world by radically improving the efficiency, productivity, safety and security of all your JCB and non JCB machine fleet.

MACHINE EFFICIENCY: Keep track of your machine's daily activity with regular performance reports which provide information about idle time, location, machine health, error codes for diagnostics, engine utilisation by power band, safety alerts, and fuel consumption. JCB LiveLink ensures machines are kept running for maximum uptime and return on investment.

MACHINE RELIABILITY: Accurate hours and service alerts improve maintenance planning to optimise machine productivity.

MACHINE SECURITY: LiveLink's real time geo-fencing alerts tell you when machines move out of predetermined zones. Curfew alerts inform you of unauthorised usage.



Track the location of any asset via Bluetooth connection.



An after market telematics solution which can be retrofitted to any machine.



COMPLETE CONTROL FOR YOUR FLEET.

LiveLink Fleet enables you to track every aspect of your equipment to maximise efficiency and machine uptime.

GUESS LESS, KNOW MORE: Equipment issues and service reminders are logged as soon as they occur, helping you to react quickly.

YOUR EYES ON THE GROUND: Integrate LiveLink Fleet with the JCB Operator mobile app and data from your operators' daily equipment checks feed instantly into your dashboard.

TOTAL PEACE OF MIND: Operator safety alerts help to ensure machines are being used efficiently and safely.

SMARTER TOOLS. SMARTER DECISIONS: From hours worked to fuel wastage, access custom analytics on your fleet to make smarter decisions, quicker.

EFFORTLESS MEETS PAPERLESS: Access certificates, warranty information, quick start machine guides and manuals.

The JCB Operator app

THEY SPOT IT, YOU KNOW IT.

The JCB Operator app gives you faster, clearer and more accurate information about your fleet, direct from the people using your equipment each day.

STAY IN TOUCH: Get regular checks on your machine with visibility in the LiveLink Fleet portal.

TAILOR YOUR CHECKS: Customise your checklists to suit any application, customer or site.

UPLOAD TO KEEP UPDATED: Upload useful information with photos and comments.

FULLY COMPATIBLE: The JCB Operator app works with non telemetry related machines and assets.

ACCESS ALL INFORMATION: Get access to documentation such as quick start guides.

**The individual features of LiveLink Telematics, LiveLink Fleet and Operator App vary per region, engine and machine type.*

VALUE ADDED.

JCB'S WORLDWIDE CUSTOMER SUPPORT IS FIRST CLASS. WHATEVER YOU NEED AND WHEREVER YOU ARE, WE'LL BE AVAILABLE QUICKLY AND EFFICIENTLY TO HELP MAKE SURE YOUR MACHINERY IS PERFORMING TO ITS FULL POTENTIAL.



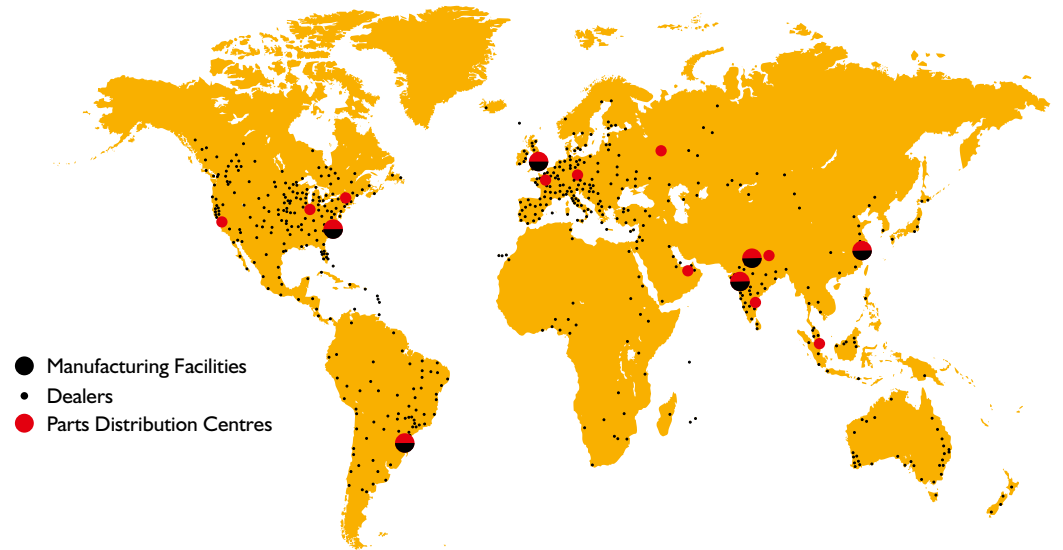
1 Our Technical Support Service provides instant access to factory expertise, day or night, while our Finance and Insurance teams are always on hand to provide fast, flexible, competitive quotes.

2 The global network of JCB Parts Centres is another model of efficiency; with 16 regional bases, we can deliver around 95% of all parts anywhere in the world within 24 hours. Our genuine JCB parts are designed to work in perfect harmony with your machine for optimum performance and productivity.

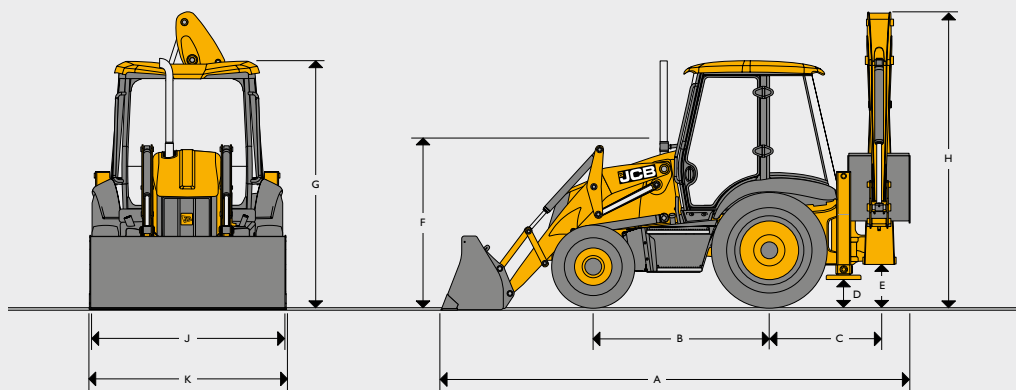


3 JCB Assetcare offers comprehensive extended warranties and service agreements, as well as service-only or repair and maintenance contracts. Irrespective of what you opt for, our maintenance teams around the world charge competitive labour rates, and offer non-obligation quotations as well as fast, efficient insurance repair work.

Note: JCB LIVELINK and JCB ASSETCARE may not be available in your region, so please check with your local dealer.



STATIC DIMENSIONS



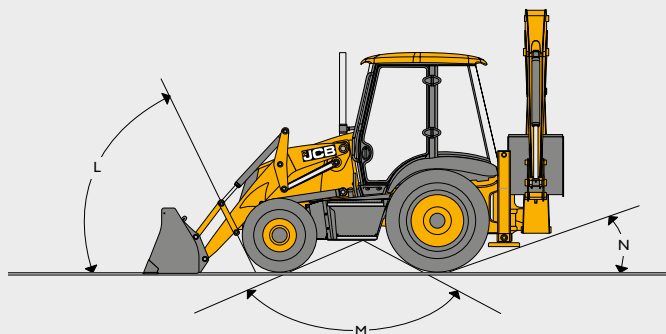
Dimensions in m

A	Total travel length		5.62
B	Axle centreline distance		2.17
C	Slew centre to rear axle centre distance		1.36
D	Stabiliser feet clearance		0.37
E	Kingpost clearance		0.52
F	Steering wheel centre height		1.94
G	Cab roof height		3.03
H	Total travel clearance		3.61
J	Rear frame width	2.35	2.24*
K	Shovel width	2.35	2.23*

* Narrow option

GROUND LINE ANGLES

L	Approach angle	degrees	66°
M	Interference angle/ramp to ground plane	degrees	120°
N	Departure angle	degrees	20°



ENGINE

Engine standard		Stage V
Manufacturer		JCB
Aspiration		Turbocharged
Displacement	litre	3.0
No. of cylinders		4
Bore	mm	92
Stroke	mm	112
Rated engine	rpm	2200
Power ratings		
Rated ISO 14396 (SAE J1995 Gross)	kW	55
Maximum torque		
Max. torque rpm	Nm	440
Max. torque rpm	rpm	1150

ELECTRICAL AND INSTRUMENTATION

Gauges	Tachometer, engine coolant temp, fuel level, hourmeter, clock
Warning system	Audible and visual system. Engine oil, water in fuel, transmission oil temperature and pressure, park brake, air cleaner, alternator
Battery	1000 CCA (120 amp)
Horn	Controlled from both front and rear
Alternator	95 amp (55kW)
Front working lights	4 adjustable
Rear working lights	4 adjustable

ENGINE SUPPORT SYSTEM

Fuel type	Diesel
Fuel filter	Replaceable cartridge plus water/sediment separator prefilter
Air cleaner	Dual, dry element type, with self cleaning internal air intake precleaner
Oil filter and lubrication	Full flow, spin-on type filter
Cooling system	Hot climate specification, pressurised 1.0 bar suction fan. Pressurised recovery tank with integral filler neck

TRANSMISSION

Manufacturer	JCB	JCB
Type	Syncroshuttle	Powershift
Gear selection	Manual	Powershift
Gear 1	5.8	5.4
Gear 2	9.4	10.0
Gear 3	20.2	22.5
Gear 4	41.8	41.8

OPERATING WEIGHTS

Fixed dipper	kg	7702
Extended dipper	kg	8135

Operating weight to ISO 6016 includes machine with 6-in-1 shovel, 24" excavator bucket and a full fuel tank and operator. Actual weight will vary depending on machine options.

AXLES

	Front Axle	Rear Axle
Type	JCB steer drive with torque proportional	JCB 4WD steer drive with torque proportional
Axle ratings	kg	kg
Static load rating	16500	25000
Dynamic load rating	8300	12500
Oscillation angle	16°	–

STEERING

	Steer drive
Axles	2
Steering turns - lock to lock	2¾
	m
Kerb – kerb turning circle - unbraked	8.1
Loader clearance circle - unbraked	10.4
Kerb – kerb turning circle - braked	6.9
Loader clearance circle - braked	9.5

(Depending on tyre size, ground conditions etc.)

SERVICE CAPACITIES

Cooling system	ltr	18.5
Fuel tank	ltr	150
Engine oil with filter	ltr	15
Gearbox with filter	ltr	16
Rear axle	ltr	16
Front drive axle	ltr	16
Hydraulic system incl. tank	ltr	117

HYDRAULIC SYSTEM

Open centre systems (piston pump) @ 2200rpm	l/min
Manual	165
Closed centre systems (piston pump) @ 2200rpm	l/min
Advanced EasyControl	165
	bar
System relief pressure	251

OPTIONAL ACCESSORIES

Tyres - Power CL (Michelin), Sitemaster (Industrial/traction)

Transmission - Powershift

Machine features - JCB Power Slide, Eberspacher cold start.

Machine and site protection - Front bumper protection, Fuel tank guards, Stabiliser street pads, Shovel street pads, Reverse alarm, Biodegradable oil

Attachments - Standard excavator buckets (300mm to 900mm), Deep profile excavator bucket (300mm to 940mm), Ditching buckets (1542mm to 1828.8mm), General purpose 6-in-1 front shovel 1 m³ hydraulic front quickhitch, Manual/hydraulic rear quickhitch, Hammer pipework, Bi-directional pipework, Hand-held tool circuit, 9m hose reel, Excavator lifting kits for EN474 territories, Loader/excavator HBCV, Electric refuelling pump

Safety and security - Reverse alarm.

CAB CONFIGURATION

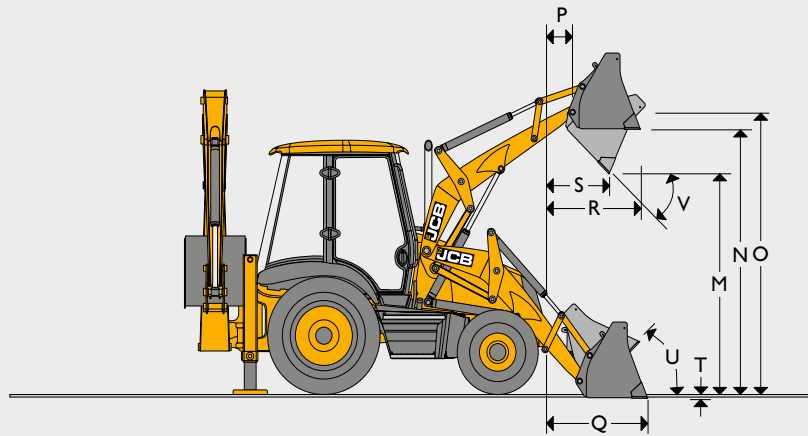
Seat and comfort	Visibility
Mechanical suspension seat ●	Exterior mirrors ●
Air suspension seat ○	Interior rear view mirror ●
Seat head rest ○	Front windscreen heater ○
Arm rest ●	8 halogen work lights ●
Seat belt ●	10 LED work lights ○
Heater ●	Roof
Air conditioning (including In-cab cool box) ○	Yellow roof ●
Radio ●	Beacons LED ●
Doors and windows	Controls
Tinted glass ●	Dual pattern controls (ISO/SAE changeover) ○
Front windscreen wiper ●	Security
Rear windscreen wiper ●	Instrumental panel vandal guard ○
Rear one piece opening window ●	Fire extinguisher (UK only) ○
Door ajar stays ●	Key and keypad immobiliser (standard in UK) ○
Steering column	Liveline ●
Tilting steering column ●	Storage
Steering wheel knob ●	Side/roof storage ●
Telescopic steering column ○	

● Standard ○ Option

NOISE AND VIBRATION LEVELS

Internal dB(A)	74dB(A)
External dB(A)	102
Vibration	Hand arm vibration 2.5m/s ² - Whole body vibration 0.5m/s ²

LOADER DIMENSIONS



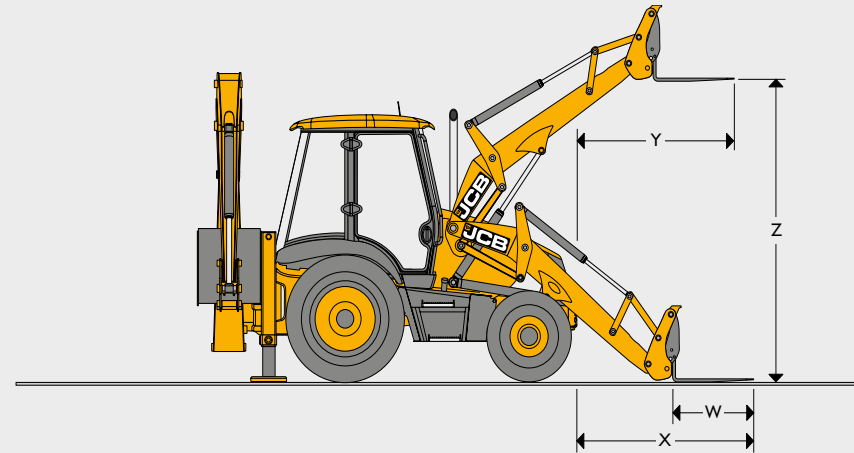
			GP shovel	6-in-1 shovel
M	Dump height	m	2.74	2.72
N	Load over height	m	3.23	3.20
O	Loader hinge pin height	m	3.45	3.45
P	Pin forward reach	m	0.36	0.36
Q	Reach at ground (toe plate horizontal)	m	1.42	1.37
R	Max. reach at full height	m	1.20	1.15
S	Reach at full height fully dumped	m	0.83	0.78
T	Dig depth	m	0.07	0.10
U	Roll back at ground	degrees	45°	45°
V	Dump angle	degrees	43°	43°
	Jaw opening width	m	-	0.95

LOADER PERFORMANCE

			GP shovel	6-in-1 shovel
	Loader breakout – shovel	kgf	6170	6531
	Loader breakout – arms	kgf	4942	4732
	Rated operating capacity 7'4"*	kgf	3479	3229
	Rated operating capacity 7'8"*	kgf	3439	3169
	Clamping force	kgf	-	2940

*Rated operating capacity as determined according to ISO 14397: 2007

LOADER ATTACHMENTS – Forklift Performance Data

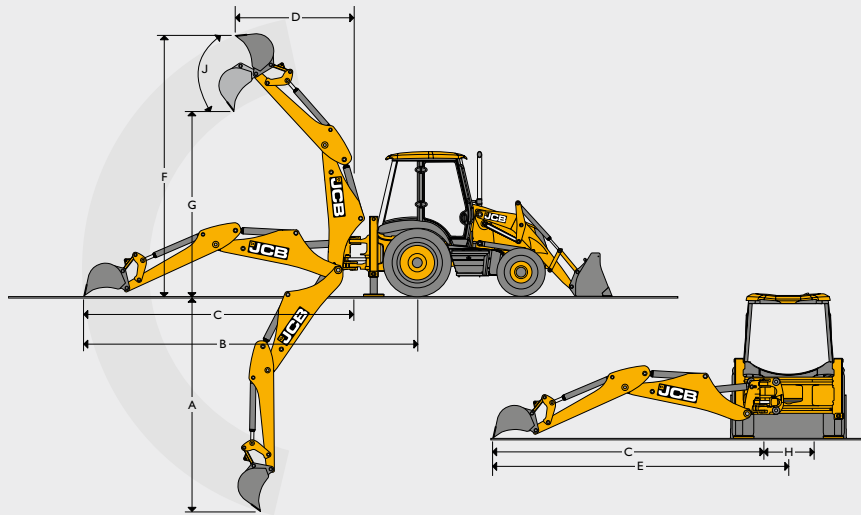


			6-in-1 shovel mounted forks	Quickhitch mounted forks
W	Forks – tine length	m	1.1	1.1
	Forks – tine width	m	0.08	0.08
X	Forks reach at ground level	m	2.66	2.03
Y	Forks reach at full height	m	2.25	1.72
Z	Forks lift height – max	m	2.92	3.27
	Fork spacing – min	m	0.2	0.2
	Fork spacing – max	m	2.17	1.03
	SWL @ 500mm load centres	kg	1000	2000

LOADER ATTACHMENTS – Direct Mount

	Capacity SAE			
	G.P. Shovel		6 in 1	
Width mm (ft-in)	Rated m ³	Struck	Rated m ³	Struck
2235 (7-4)	1.0	0.83	1.0	0.76
2350 (7-8)	1.1	0.91	1.2	1.02
3CX Auto		●		●

BACKHOE DIMENSIONS



		Standard Dipper		Extradig	
A	SAE max dig depth	Ext	–	5.46	
		Ret	4.24	4.24	
	SAE 2ft flat bottom	Ext	–	5.43	
		Ret	4.21	4.21	
	Maximum dig depth with deep profile bucket	Ext	–	5.97	
		Ret	4.75	4.75	
B	Reach – ground level to rear wheel centre	Ext	–	7.87	
		Ret	6.72	6.72	
C	Reach – ground level to slew centre	Ext	–	6.52	
		Ret	5.37	5.37	
D	Reach – at full height to slew centre	Ext	–	3.66	
		Ret	2.74	2.74	
E	Side reach – to centre line of machine	Ext	–	7.09	
		Ret	5.94	5.94	
F	SAE operating height	Ext	–	6.35	
		Ret	5.53	5.53	
G	Maximum loadover height	Ext	–	4.72	
		Ret	3.84	3.84	
	SAE loadover height	Ext	–	4.32	
		Ret	3.4	3.4	
H	Total kingpost travel		1.16	1.16	
		Narrow rear frame option	m	1.05	1.05
J	Bucket rotation	Speed	201°	201°	

BACKHOE PERFORMANCE

		Standard Dipper		Extradig	
Bucket tearout	kgf	Speed	543 l	5385	
		Power	6324	6228	
Dipper tearout	kgf	Ext	–	2255	
		Ret	3217	3225	
Lift capacity of bucket pivot at full reach	kg	Ext	–	719	
		Ret	1584	1451	

BACKHOE ATTACHMENTS – Standard Profile Bucket

Width*	Capacity SAE		Weight (+ Teeth)	
	Rated m ³	Rated m ³	kg	Teeth
mm				
229	0.04	0.03	95	0
305 †	0.06	0.05	102	3
356 †	0.075	0.06	105	3
400 †	0.09	0.07	109	3
457 †	0.12	0.09	116	3
610 †	0.17	0.13	140	4
800 †	0.24	0.17	162	5
950 †	0.30	0.21	198	5

* Including sidecutters. Width less sidecutters deduct 25mm. † Available with additional wear strips to give added strength and rigidity.

BACKHOE ATTACHMENTS – Standard Profile Bucket

Width*	Capacity SAE		Weight (+ Teeth)	
	Rated m ³	Struck m ³	kg	Teeth
mm				
305	0.09	0.07	102	3
356	0.11	0.09	117	3
457	0.16	0.13	122	3
610	0.23	0.18	142	4
800	0.30	0.24	163	5
950	0.38 †	0.30	183	5
1100	0.48 †	0.34	203	6

* Including sidecutters. Width less sidecutters deduct 25mm (1 in). † Capacity in cu.yd.

DITCHING BUCKETS

Width*	Capacity SAE		Weight
	Rated m ³	Struck m ³	
mm			kg
1525	0.22	0.155	150
1830	0.26	0.186	172

TAPERED BUCKETS

Width*	Capacity SAE		Angle degrees	Teeth
	Rated m ³	Struck m ³		
mm				
381–1676	0.07	0.06	30	2
305–1067	0.12	0.10	60	2



ONE COMPANY, OVER 300 MACHINES.

Your nearest JCB dealer

Backhoe Loader 3CX Special Edition Stage V

Gross power: 55kW (74hp) Stage V Maximum dig depth: 5.46m Weight: 8135kg

JCB Sales Limited, Rocester, Staffordshire, United Kingdom ST14 5JP.

Tel: +44 (0)1889 590312 Email: salesinfo@jcb.com

Download the very latest information on this product range at: www.jcb.com

©2009 JCB Sales. All rights reserved. No part of this publication may be reproduced, stored in a retrieval system, or transmitted in any form or by any other means, electronic, mechanical, photocopying or otherwise, without prior permission from JCB Sales. All references in this publication to operating weights, sizes, capacities and other performance measurements are provided for guidance only and may vary dependant upon the exact specification of machine. They should not therefore be relied upon in relation to suitability for a particular application. Guidance and advice should always be sought from your JCB Dealer. JCB reserves the right to change specifications without notice. Illustrations and specifications shown may include optional equipment and accessories. The JCB logo is a registered trademark of J C Bamford Excavators Ltd.

9999/6147 en-GB 03/20 Issue 1

